

PRODUCT DATA SHEET

www.internationalgasdetectors.com

OLIVER IGD

Control Systems

Transmitters

Sensors

Accessories



TOC-30 Series Gas Detectors

TOC-30 Series Gas Detectors provide accurate measurement of the background atmosphere to measure for a specific hazardous target gas. Clean lines and easy integration into existing or newly planned control systems make the TOC-30 the safety engineers device of choice. Using the latest microprocessor technology and software TOC-30 is a reliable long term monitoring solution. TOC-30 is supplied pre-calibrated ready to use.

Features

- Standard 2 Gang Pattress Mount
- Industry Standard 4-20mA Output
- Dado Mount or Wall Mount
- Pre-calibrated
- In-Service Calibration Possible
- Replaceable Sensor

Standard Specifications

Power	18-28V DC (Loop Powered)
Construction	ABS
Output	4-20mA Linear Output for calibrated gas and range
General Accuracy	+/-2% of Range
Temperature	-5 to 55 Deg C
Humidity	5-95% RH Non-Condensing
Sealing	IP54
Weight	840g

Order Codes

Gas	Standard Range	Order Code	Typical Cell Life
Carbon Monoxide*	0-100ppm	TOC-30-CO	>5 Years
Carbon Monoxide	0-100ppm	TOC-31-CO	>5 Years
Oxygen	0-30% Vol	TOC-30-O2	>5 Years
Nitric Oxide	0-200ppm	TOC-30-NO	>2 Years
Nitrogen Dioxide	0-20ppm	TOC-30-NO2	>2 Years
Ammonia	0-100ppm	TOC-30-NH3	>2 Years
Chlorine	0-20ppm	TOC-30-CL2	>2 Years
Sulphur Dioxide	0-5ppm	TOC-30-SO2	>2 Years
Carbon Dioxide	0-2%VOL**	TOC-30-CO2	>5 Years
Carbon Dioxide	0-5%VOL**	TOC-30-CO2	>5 Years

Other gases and ranges available on request.

TOC-30 is commonly deployed into:

Schools,
Universities,
Laboratories,
Breweries, bottling plants,
Fermentation Processes
HVAC
Horticulture



*Legacy version

**Please state when ordering which range you require



International Gas Detectors

CH₄ H₂S CO₂
NO NO₂ SO₂



Triton House
Crosby Street
Stockport
SK2 6SH
England

Tel: +44 (0)161 483 1415

Fax: +44 (0) 161 484 2345

Email: sales@internationalgasdetectors.com

Website: www.internationalgasdetectors.com



FS646773

REF: TOC-30 v7.2

PRODUCT DATA SHEET

www.internationalgasdetectors.com

OLIVER IGD

Control Systems

Transmitters

Sensors

Accessories

EC Declaration of Conformity

Issuers name and address:

Oliver IGD Limited of
Triton House
Crosby St
Stockport, SK2 6SH
United Kingdom



Declares that the product listed as:

TOC-30

4-20mA Output Gas Detector

Are in conformity with the provisions of the following European Directive(s) when installed, operated, serviced and maintained in accordance with the installation and operating instructions contained in the product documentation.

2004/108/EC EMC Directive

And that the standards and/or technical specifications referenced below have been applied or considered.

EN 50271:2018	Electrical apparatus for the detection and measurement of combustible gases, toxic gases or Oxygen: requirements and tests for apparatus using software and or digital technologies. <i>Excluding requirements for SIL</i>
EN 61000-6-2: 2005	EMC Generic standards. Immunity for industrial environments
EN 61000-6-4:2:2007	EMC Generic standards. Emission standard for industrial environments
EN 61000-3-2/A2: 2009	EMC Limits. Limits for harmonic current emissions (equipment input current ≤ 16 A per phase)
EN 61000-3-3: 2008	EMC Limits. Limitation of voltage changes, voltage fluctuations and flicker in public low-voltage supply systems, for equipment with rated current ≤ 16 A per phase

Technical File Reference T30-TF9

Product Markings **CE** **TOC-30** *SI*-serial number

Oliver IGD Limited Operate and Independently assessed ATEX/IECEX QAN.

Oliver IGD Limited operate an independently assessed ISO9001:2015 Quality Management System.

Testing Agency:

Quality Assurance Certificate Number
ExVeritas 16PQAN0014

Quality Management Certificate Number
FS 646773

TUV - SUD
Octagon House
Concorde Way
PO 15 5RL
Fareham



Mehr Sicherheit.
Mehr Wert.

Quality Assurance Notification Number:
2585

ExVeritas,
Units 16-18,
Abenbury Way,
Wrexham Industrial Estate,
Wrexham, UK, LL13 9UZ

BSI Assurance UK LTD,
Chiswick High Road,
London
W4 4AL
UK

TUV Certificates and reports can be checked on-line at https://www.tuev-sued.de/industry_and_consumer_products/certificates

Issued on: 10 Feb 2016

At Oliver IGD Limited, Stockport, SK2 6SH, United Kingdom

Signature:

Declaration of Conformity in accordance with EN ISO/IEC 17050-1:2010

Name

Andrew J Collier M.I.O.D

Position:

Managing Director

Date: 15 Oct 2018

Declaration Ref: TOC-30-DEC-3



International Gas Detectors

CH₄ H₂S CO₂
NO₂ SO₂ NO₂ CO



Triton House
Crosby Street
Stockport
SK2 6SH
England

Tel: +44 (0)161 483 1415

Fax: +44 (0) 161 484 2345

Email: sales@internationalgasdetectors.com

Website: www.internationalgasdetectors.com



FS646773

REF: TOC-30 v7.2

PRODUCT DATA SHEET

www.internationalgasdetectors.com

OLIVER IGD

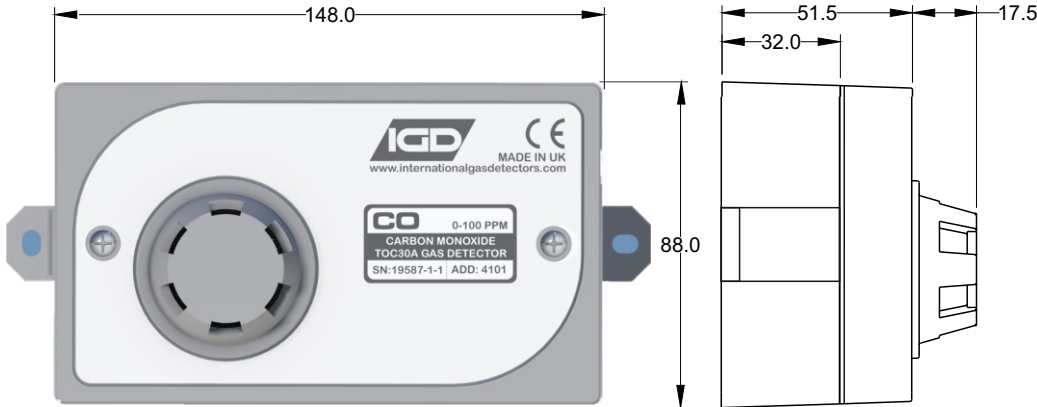
Control Systems

Transmitters

Sensors

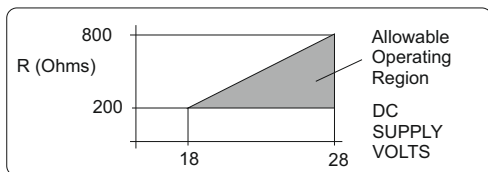
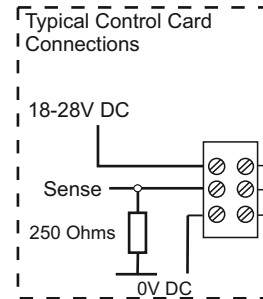
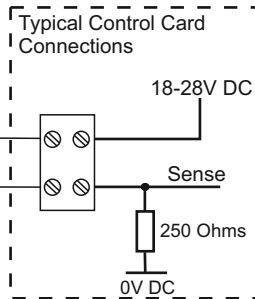
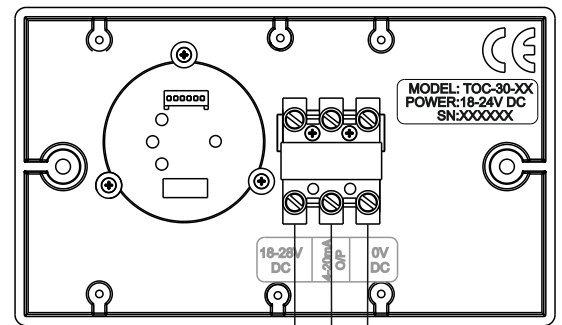
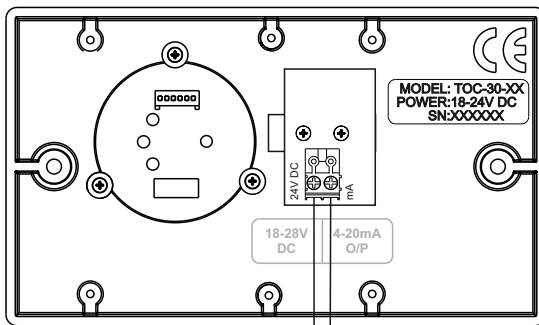
Accessories

Physical Details



2 Wire Loop Powered Connection (Typical for CO,NO,NO2,O2)

3 Wire Connection (Typically CO2 Sensors)



IGD

International Gas Detectors

CH₄ H₂S CO₂
NO NO₂ SO₂

OLIVER IGD

Triton House
Crosby Street
Stockport
SK2 6SH
England

Tel: +44 (0)161 483 1415

Fax: +44 (0) 161 484 2345

Email: sales@internationalgasdetectors.com

Website: www.internationalgasdetectors.com



FS646773

REF: TOC-30 v7.2